



The Application of Synchronization in Today's Telecom World

Workshop on Synchronization
in
Telecommunication Systems

WSTS 2015

DOUBLETREE BY HILTON
SAN JOSE, CA

March 9 - 12, 2015

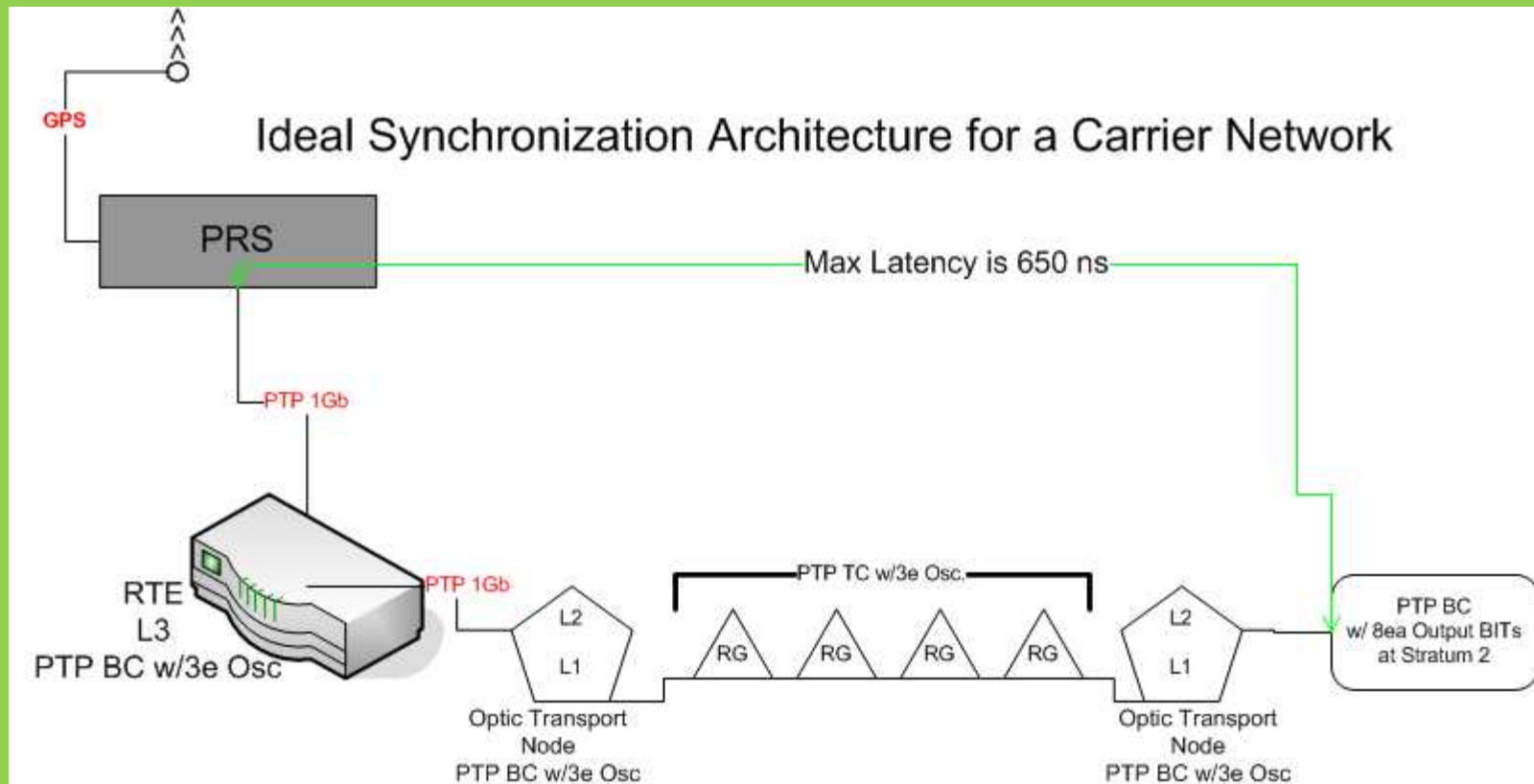
Premier North American Timing & Sync Event



SYNC is Required in an Ethernet World

- NTP [FTTT Nids, IPTV, Cloud Security, VoIP]
- PTP [NFV, SDN, LTE-A, 100Gbe, APTS, BITSoETH]
- SyncE [Optical, 40&100Ge]
- BIT's [Legacy TDM, New EoTDM]

Carrier Synchronization Architectures



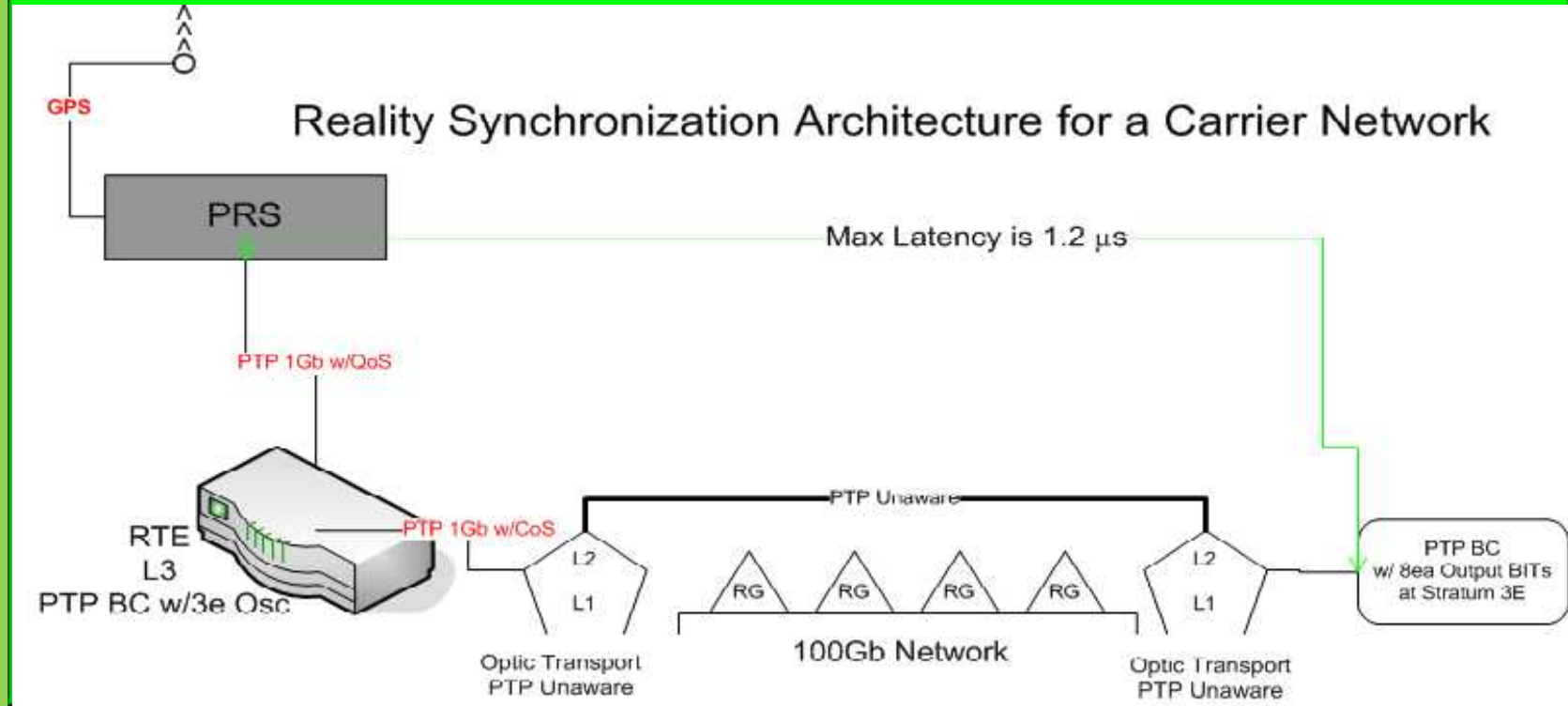


Carrier Synchronization Architectures

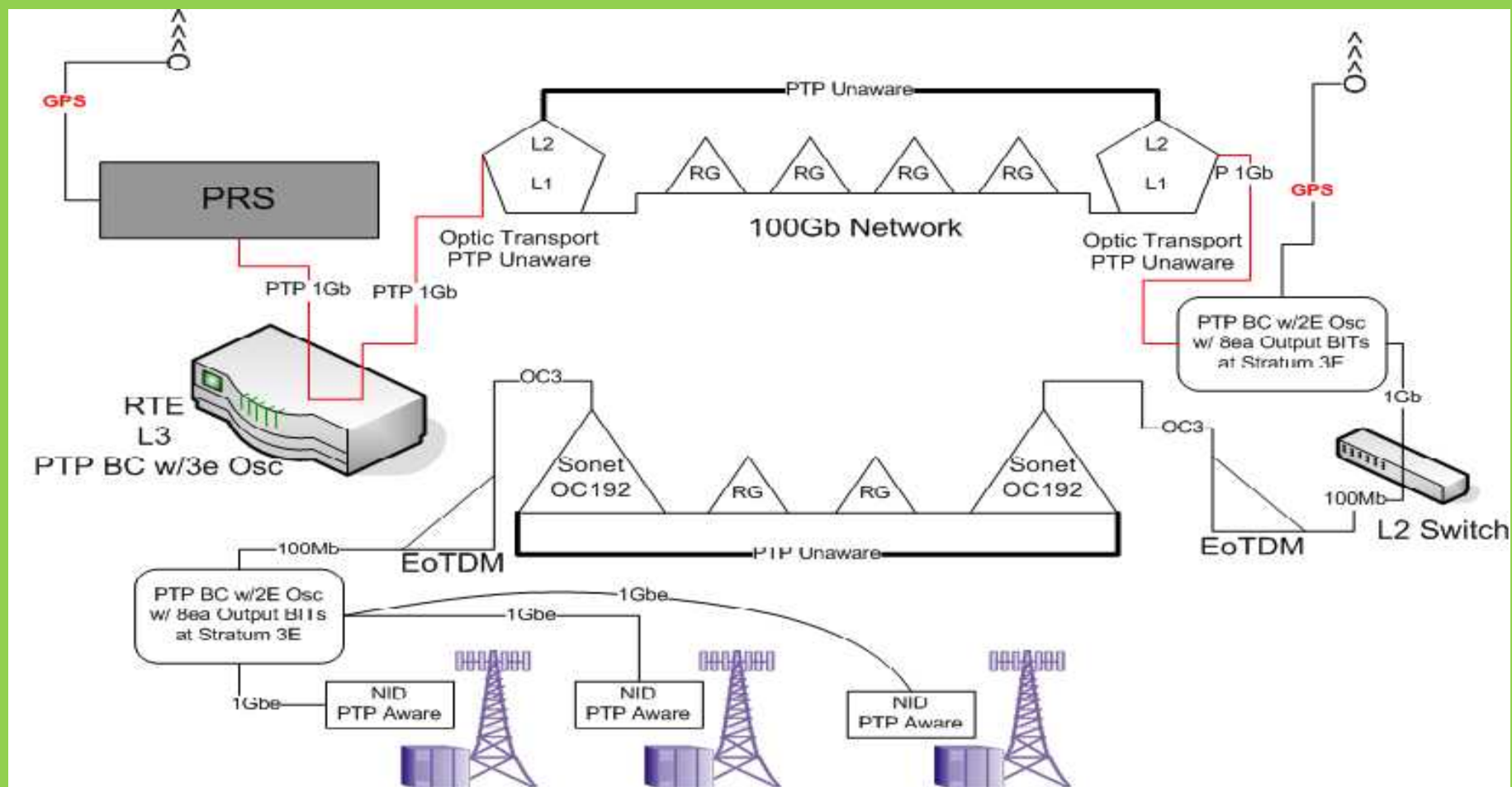
ITU-T, Study Group 15, question 13

Carrier Synchronization Architectures

ITU-T, Study Group 15, question 13



Carrier Synchronization Architectures





Next Generation Networks

- Automated Test Services (RFC2544, Y.1731, BERT, TDR)
- Virtual Network Function (VNF)
{Network Functions Virtualization (NFV)}
- Software-Defined Networking (SDN)
- Precognitive Event Correlation utilizing Intelligent Solution Hierarchy (PEC-ISH)
- Resolution Before Fault (RBF)

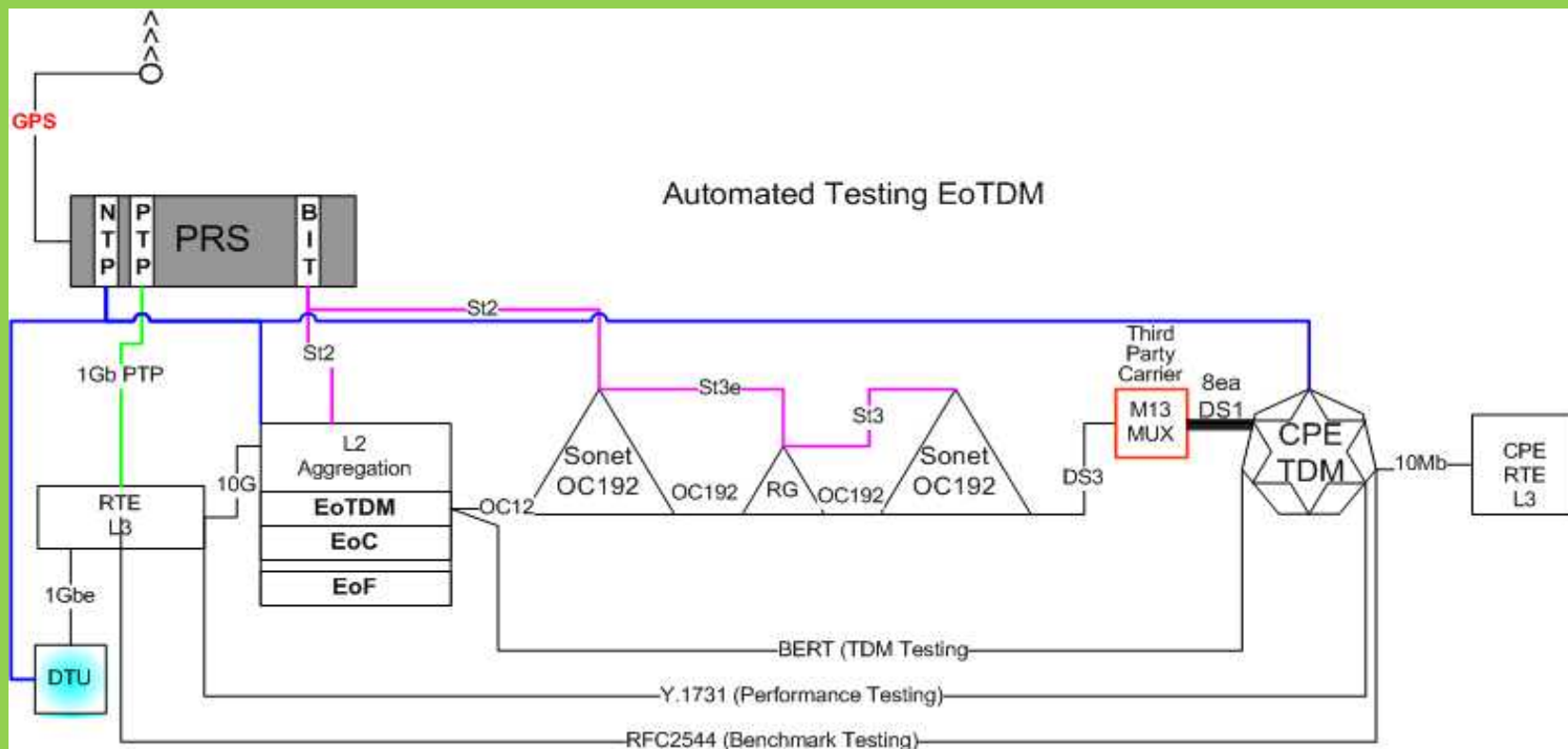


Automated Test Services

- EoTDM testing [BERT]
- EoC Testing [TDR]
- EoF Testing [Power]
- Ethernet Service Testing [RFC2544, Y.1731]

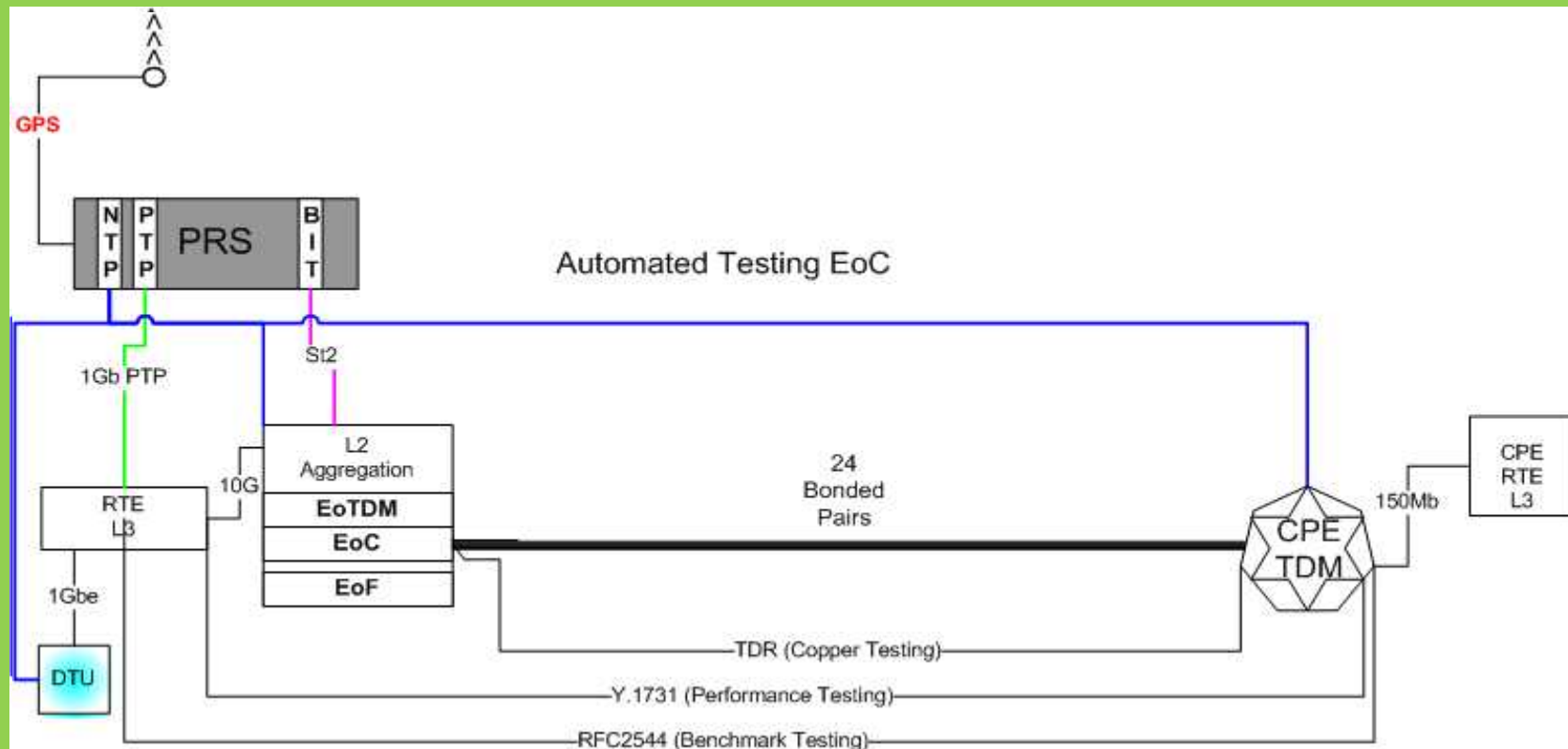
Automated Test Services

- EoTDM testing [BERT]



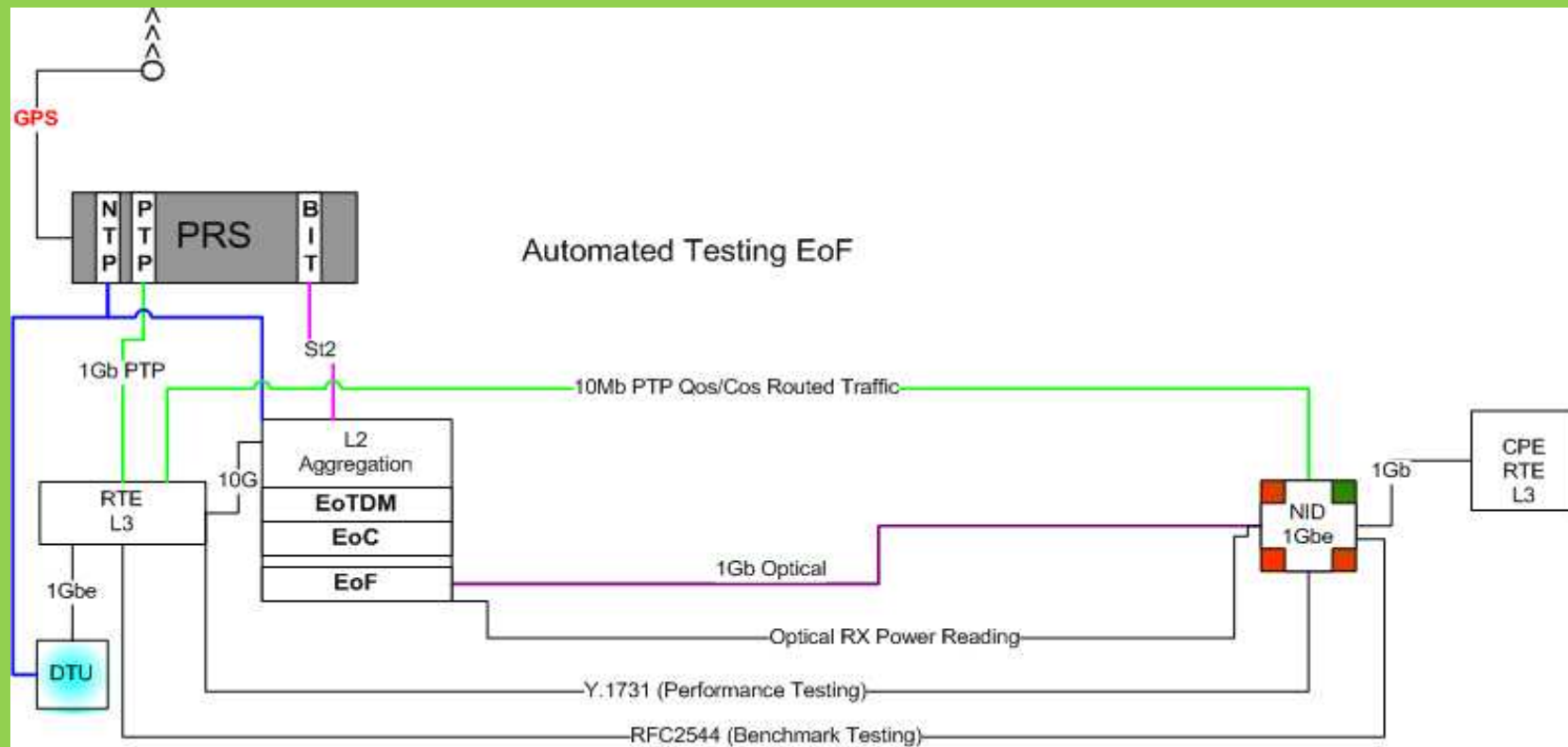
Automated Test Services

- EoC Testing [TDR]



Automated Test Services

- EoF Testing





The END



- Thank you for your time today.
- If there are any Questions stand up and turn around please.

Workshop on Synchronization
in
Telecommunication Systems

WSTS 2015

DOUBLETREE BY HILTON
SAN JOSE, CA

March 9 - 12, 2015

Premier North American Timing & Sync Event