



OPNT

Optical Positioning, Navigation and Timing

Introduction to OPNT Global Terrestrial Timing ServiceSM ... GTTSSM

Time & Money Conference, NYSE

January 28, 2020

Monty Johnson, CEO

m.johnson@opnt.nl



OPNT Global Terrestrial Timing Service (GTTS)

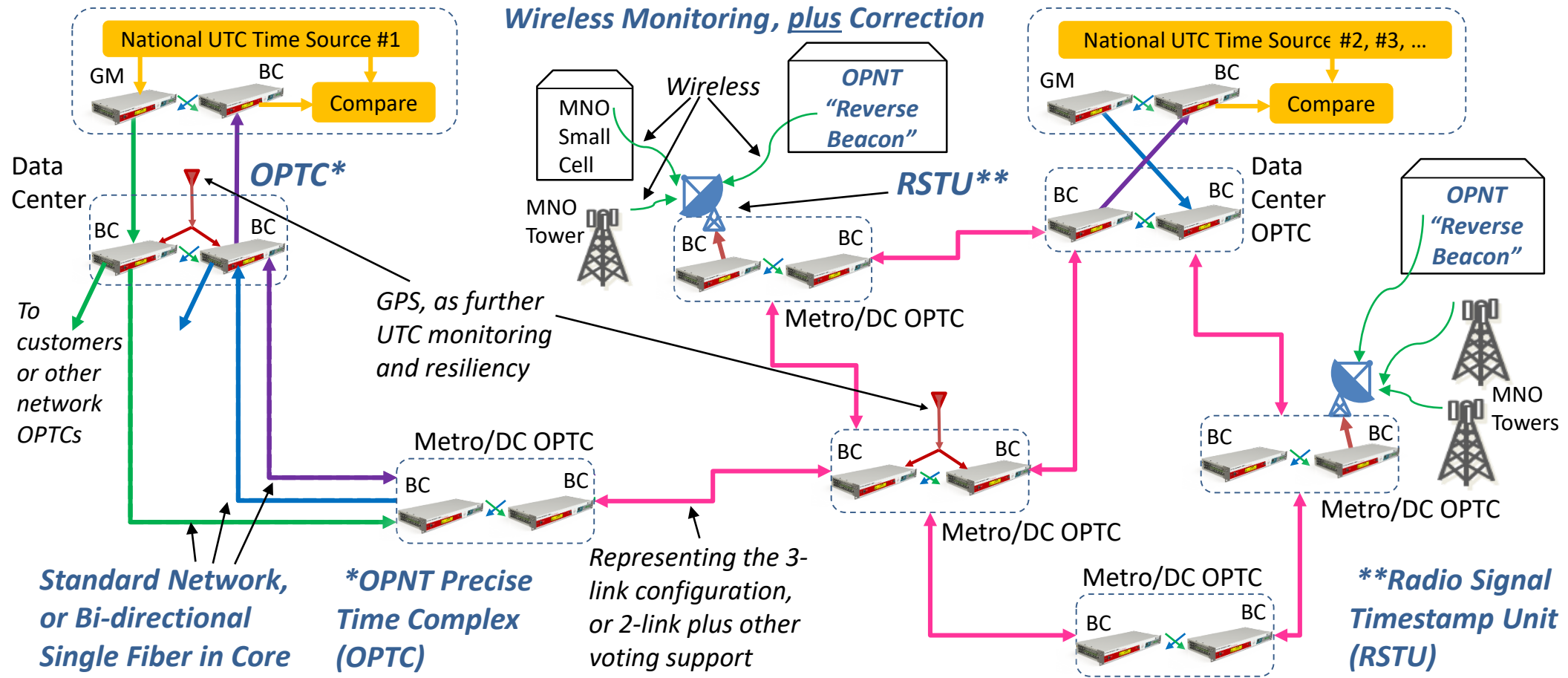
- **Timing is critical yet GPS is not enough ... terrestrial-based solution is the right technical answer**
 - “The World’s Economy Runs on GPS. It Needs a Backup Plan”*
- **A robust Time as a Service (TaaS) offering on a global scale is the right market/business answer**
 - “Time-as-a-Service: How is time revolutionising business?”**
- **OPNT is ready to meet this world-wide need**
 - Resiliency, Affordability, Accuracy, Traceability are Key
 - Incorporation of Both Wired and Wireless to Cost-Effectively Satisfy Use Cases
 - Global Parallel to GPS Supporting Both Legacy and Emerging Needs

* Bloomberg <https://www.bloomberg.com/news/features/2018-07-25/the-world-economy-runs-on-gps-it-needs-a-backup-plan>

** IDG Connect <https://www.idgconnect.com/opinion/1501183/-service-revolutionising-business>



OPNT's GTTSSM : Resiliency, Affordability, Accuracy, Traceability, Wired plus Wireless



Summary

- **The world needs a terrestrial-based TaaS utility as a parallel to GPS**
 - Combination of **fiber networks plus terrestrial-based wireless** enables **cost-effective** delivery to meet **full range of performance needs**
 - **Redundancy plus "dual-direction"** attributes enable **resiliency and traceability**
- **OPNT is ready to meet this world-wide need**
 - **Application of advanced technology** to harness the **performance benefits** available through a **terrestrial-based offering**
 - With **standard timing interfaces** that customers are accustomed to
 - At a **solution cost structure** that supports **win-win business propositions** with both customers and partners
 - To achieve their **Key Requirements of Resiliency, Affordability, Accuracy, and Traceability**
- **We look forward to working with you**

Contact Information



OPNT B.V.

De Boelelaan 1081
1081 HV Amsterdam
The Netherlands

Monty Johnson

m.johnson@opnt.nl
+1 706 206 1963



WWW.OPNT.NL



LinkedIn Follow us



info@opnt.nl

